

SYMPRO

Nr. 6500-0000 / -0050

***Bedienungsanleitung
Instruction manual • Mode d'emploi
Istruzioni d'uso • Instrucciones para el servicio
Инструкция по эксплуатации
取扱説明書 • 사용 설명서***



0510 21-6568 A

Made in Germany

Renfert

Ideas for dental technology

Seriennummer, Herstelldatum und Geräte-Version befinden sich auf dem Geräte-Typenschild.

Serial number and date of manufacturing are shown on the type plate of the unit.

Le numéro de série et la date de fabrication se trouvent sur la plaque signalétique de l'appareil.

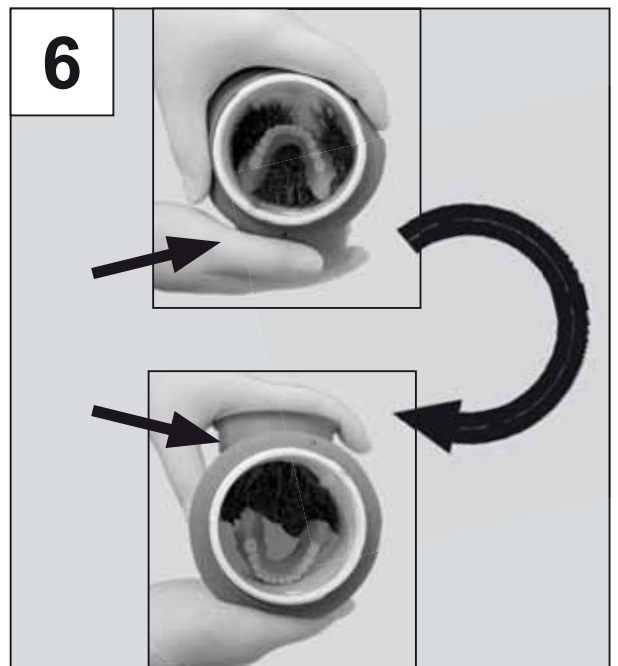
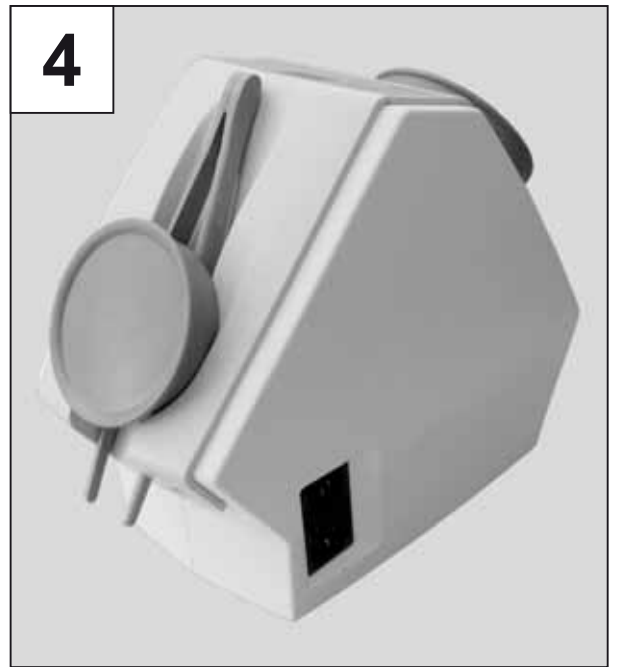
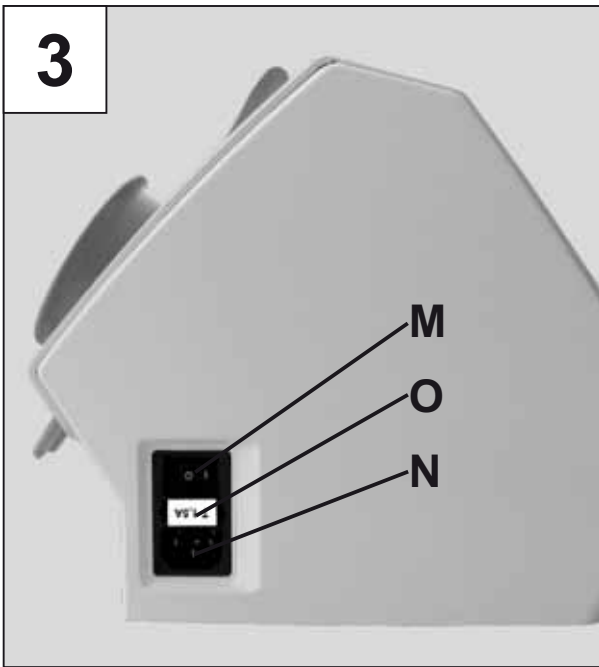
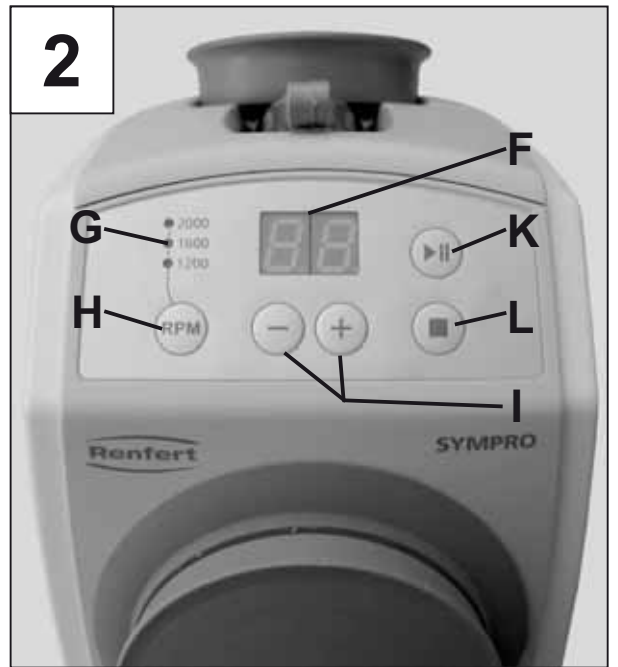
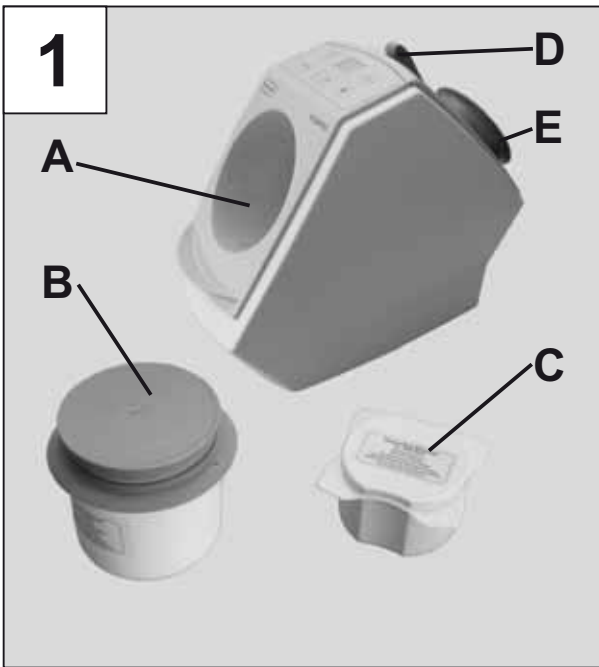
Il numero di serie e la data costruzione si trovano sulla targhetta dell'apparecchio.

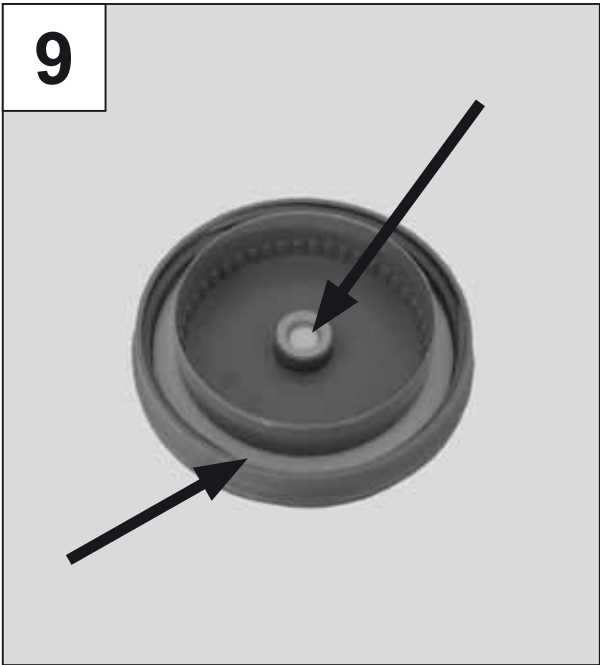
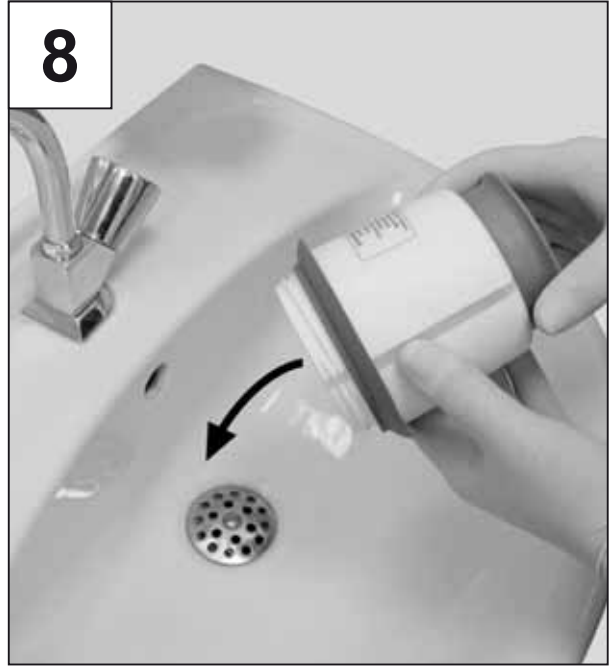
El número de serie y la fecha de fabricación están indicados en la placa identificadora del aparato.

Номер серии и дата изготовления указаны на фирменной табличке прибора.

シリアル番号、製造日および装置のバージョンは装置の型番号ラベルに記載されています。

시리얼넘버, 제조일자 및 기기 버전은 기기의 명판에 표시되어 있습니다.





SYMPRO

6500-0000 / -0050

ENGLISH

Index

Introduction	17
Symbols	17
User Notices	18

Instruction manual

1. Unpacking and installing	18
2. Appliance Description	18
3. Connecting and switching on	18
4. Operation	19
4.1 Preparing the object	19
4.2 Cleaning fluid	19
4.3 Filling the cleaning vessel	19
4.4 Choose cleaning time and RPM	20
4.5 Starting, pausing, and stopping cleaning	20
4.6 Remove the cleaning object	20
4.7 Rinsing and refilling cleaning needles	20
4.7.1 Rinsing	20
4.7.2 Adding cleaning needles	21
4.8 Rinsing the vessel cover	21
5. Cleaning and Maintenance	21
5.1 Replacing cleaning needles	21
5.2 Cleaning vessel	21
5.3 Changing a fuse	22
6. Spare Parts	22
7. Presentation	22
8. Available delivery quantities:	22
9. Accessories	22
10. Troubleshooting	23

Information for the purchaser

A. Application	24
A.1 Correct use of the unit	24
A.2 Unapproved use	24
A.3 Ambient conditions	24
B. Hazards and warnings	24
C. Approved personnel	25
D. Prior to installation	25
E. Repair	25
F. Disposal instructions	25
F.1 Disposal instructions for countries in the EU	25
G. Technical data	26
H. Disclaimer	26
I. Guarantee	26

Introduction

Congratulations on choosing the SYMPRO high-performance cleaning device.

This appliance is to be used exclusively for the professional cleaning of removable dentures as well as orthodontic appliances and splints.

This appliance sets new standards of functionality, performance, and ergonomics.



To guarantee long and trouble-free use please read the following instruction manual carefully and always follow the included safety notices.

Symbols

This manual contains symbols also found on the appliance itself with the following meaning:



Danger
Immediate risk of injury



High Voltage
Danger – high voltage



Caution:
Ignoring this notice may cause damage to both appliance and object.



Notice
A general notice that improves and eases use.



For indoor use only.



Disconnect from mains supply before opening the appliance.



The appliance complies with current EU directives.



Within the EU, this device is subject to the provisions of the WEEE directive.

Other symbols are explained when displayed.

User Notices



Instruct the user according to the information in this manual on application, possible dangers, and operation of the **SYM-PRO** high-performance cleaning device.

This user information should be made available to the operator at all times. Further information can be found in the 'User notices' section at the end of this manual.

Instruction manual

1. Unpacking and installing

- Remove the appliance and all accessories from the packaging.

i **The cleaning needles are found in the white cleaning vessel.**

- Place the appliance on a bench of comfortable height.
- Place the tweezers supplied with the unit and the retaining magnets in the holder on the back of the appliance (Fig. 4).



Danger of injury through falling equipment!

Remove the retaining magnets from the holder when transporting the appliance.

2. Appliance Description

(See fig. 1, 2, and 3)

- (A) High-performance cleaning device **SYMPRO**
- (B) Cleaning vessel (white) for needle cleaning using **SYMPROfluid Universal**
- (C) Cleaning vessel (gray) for **SYMPROfluid Nicoclean**
- (D) Tweezers

- (E) Retaining magnet
- (F) Cleaning time indicator
- (G) RPM indicator
- (H) RPM selection key
- (I) +/- buttons, change cleaning time
- (K) Start/ pause button
- (L) Stop button
- (M) Mains switch
- (N) Mains connection
- (O) Fuse

3. Connecting and switching on



Ensure the mains supply and voltage marked on the nameplate is identical.

- Choose a power cable with the proper plug for your mains supply.
- Connect the supplied power cable to the mains connection socket (N, Fig 3).
- Connect the power cable to the mains supply.
- Turn on the appliance at the mains switch (M, Fig. 2).

4. Operation

Refer to Quick Reference Card at the end of the instructions for use.

4.1 Preparing the object

! Inspect the object for unstable areas or damage before cleaning it in the appliance.

These areas may be affected by chemical and mechanical stress during cleaning.

! Delicate areas and function elements (such as thin crown margin, electroplated parts, friction surfaces of external telescopes) may be damaged.

As a rule, these will have to be covered with an appropriate wax/silicone layer.

i *High-gloss areas may become dulled through cleaning. If necessary, cover the high-gloss areas with an appropriate wax/silicone layer.*

4.2 Cleaning fluid

- *SYMPROfluid Universal*:
Special cleaner for use in the SYMPRO high-performance cleaning device.
Ready-to-use solution for the removal of stubborn soils, bleak, calculus, stains (tea, coffee or red wine etc.), as well as adhesive cream.
- *SYMPROfluid "Nicoclean"*:
Special cleaner for post-cleaning stubborn nicotine deposits.
Ready-to-use solution.

Please observe the processing order:

Without denture adhesive deposits, continue directly with 2.:

1. When soiled with denture adhesive deposits, roughly clean the denture using a dry disposable cloth first.
2. Clean using 200 ml *SYMPROfluid Universal* in the cleaning device for approx. 10-30min. (white vessel).

With nicotine stains (otherwise continue with 4.)

3. Place into the grey vessel and immerse entirely with *SYMPROfluid Nicoclean*.
Immersion time approx. 5 – 10 min (without the cleaning device).
- Remove any residual stains by simple mechanical cleaning with a toothbrush or denture brush under warm running water.
4. Rinse and disinfect the cleaned object thoroughly before transferring to the patient.



The submerged object may cause bacterial contamination of the cleaning fluid.

For this reason: Always use fresh cleaning liquid for every new cleaning sequence!

For information on how to dispose of the cleaning solutions, please consult the appropriate product data sheets.

4.3 Filling the cleaning vessel

For use in the high-performance cleaning device.

- Fill the white cleaning vessel (B, Fig. 1) with:
 - 75 g cleaning needles (corresponding to one packaging unit),
 - 200 ml *SYMPROfluid Universal*, equivalent to filling the vessel to the MIN mark.
 - the object to be cleaned.

Make sure the liquid level stays clear of the MAX mark.

- Close the vessel.
- Place the vessel in the appliance.



Do not overfill the vessel.



Never use the appliance with the cleaning vessel open (Fig. 5).

4.4 Choose cleaning time and RPM

- Adjust the cleaning time with the +/- buttons (I, Fig. 2) (range 0 to 30 minutes).
- Adjust RPM with the selector (H, Fig. 2). The indicator now shows the chosen RPM.

i *The cleaning time in the appliance will depend on the nature of the cleaning solution, the selected RPM and the degree of soil and staining. It is advisable to check the results several times during cleaning if you have no previous experience with this appliance.*

 **Never open the vessel while still inside the appliance (Fig. 5).**

Recommended RPM:

- 1200 RPM:
Cleaning objects with delicate areas and function elements.
- 1600 RPM:
Cleaning objects partly made of precious metal alloys, orthodontic appliances.
- 2000 RPM:
Cleaning objects made of non-precious alloys, complete dentures, dentures with cast-metal frameworks and splints.

4.5 Starting, pausing, and stopping cleaning

- Start cleaning with the Start/ Pause button (K, Fig. 2).
 - The appliance stops automatically when the set cleaning time has elapsed.
 - The remaining time is displayed in the indicator during cleaning.
 - Cleaning can be stopped and restarted by pressing the Start/ Pause button.
 - Once cleaning is stopped, the remaining cleaning time can be adjusted.
 - You can change the set RPM at any time during cleaning.

- Cleaning can be stopped at any time before the cleaning time has elapsed by pressing the Stop button.

- After the cleaning time has elapsed the indicator shows „00“.
- Stop cleaning altogether by pressing the Stop button (L, Fig. 2). The display shows the previously set cleaning time.


i *To improve the cleaning performance, the sense of rotation will change every 30 seconds.*

i *With especially stubborn stains it may be necessary to alter to a longer running time (+ max. 10min) and then short, manual cleaning, under running water, using a hard toothbrush.*


4.6 Remove the cleaning object

After cleaning:

- Remove the cleaning vessel and open the lid while holding over a washbasin or sink unit.

 **Never open the vessel while still inside the appliance (Fig. 5).**

- Place the retaining magnet on the outer wall of the vessel such that the cleaning needles accumulate on the inner wall (Fig. 6).
- You can now remove the object with the enclosed pliers (Fig. 7).
- Before delivering the object to the patient, rinse it with a copious amount of water and disinfect.

 **Carefully check the object for any adhering cleaning needles before delivering.**

4.7 Rinsing and refilling cleaning needles

i *The cleaning needles can be used more than once.*

4.7.1 RINSING

After each cleaning cycle, rinse the clea-

ning needles and prepare fresh cleaning fluid.

To do this:

- Hold the retainer magnet against the underside of the cleaning vessel (Fig. 8).
- Carefully pour out the cleaning fluid (for information on how to dispose of the cleaning solutions, please consult the appropriate product data sheets)..

i ***The magnet holds the cleaning needles in the vessel.***

- Rinse the vessel and cleaning needles with clean water.
- Hold the retainer magnet against the underside of the cleaning vessel and pour out the water.

Once rinsed, the needles can be kept for longer periods of time in an open, well dried cleaning vessel.

4.7.2 ADDING CLEANING NEEDLES

Some cleaning needles will invariably be lost when cleaning the needles and the denture.

This will reduce the cleaning performance.

To bring the amount of cleaning needles backup to the required amount of 75 g, proceed as follows:

- Place the cleaning vessel (with cleaning needles, but without liquid) on a scales.
- A dry vessel and cleaning needles:
 - Add cleaning needles until the scales indicates a weight of between 144 g and 145 g.
- A wet vessel and cleaning needles:
 - Add cleaning needles until the scales indicates a weight of between 154 g and 155 g.

4.8 Rinsing the vessel cover

The cover of the vessel, especially the membrane (Fig. 9) and seals must be rinsed under clean water after each cleaning cycle for hygienic and functional reasons.

5. Cleaning and Maintenance



The owner and user of the appliance are responsible for proper disinfection of the cleaning needles, cleaning beaker and lid, as well as the compliance with national hygiene regulations.

- Clean the appliance using only a damp cloth.
- Wipe off the drip edge regularly, at least on a daily basis (Fig. 10).



Never clean the appliance under running water or immerse in water.



Do not steam clean the appliance.



Do not use solvent-based, aggressive or scouring cleaners.

5.1 Replacing cleaning needles

Replace the cleaning needles when the cleaning and polishing effect starts to subside.

To do this:

- Hold the retainer magnet against the underside of the cleaning vessel (Fig. 8).
- Carefully pour out the cleaning liquid. (For disposal please see the product data sheet for the cleaning liquid).
- Rinse the cleaning beaker and the needles which are to be disposed of with water.
- Remove the retaining magnet and tip out the old needles.
- Rinse out the cleaning vessel.
- Fill with new cleaning needles (75 g, corresponding to one packaging unit).

Cleaned and disinfected cleaning needles can be disposed of with the regular recyclable waste.

5.2 Cleaning vessel.

Cleaning vessels are not heat-proof.

- !** **Do not place cleaning vessels in a dish washer or sterilise in an autoclave.**

5.3 Changing a fuse



Before replacing a fuse, disconnect the appliance from the mains.



Never use a fuse of larger impedance.

The fuse is found next to the mains connection (O, Fig. 3).

- Disconnect from mains supply.
- Unlatch the fuse holder on both sides and remove.
- Remove faulty fuse and replace with a new one.
- Replace the fuse holder by sliding back into the socket until both sides lock into place.

6. Spare Parts

Refer to the spares list at the end of this manual for numbers of wearing and replacement parts.

7. Presentation

- 1 SYMPRO, high-performance cleaning device
- 1 Cleaning vessel, white, with cover (for use in the cleaning device with *SYMPROfluid Universal*)
- 1 Cleaning vessel, grey, with cover (for use with *SYMPROfluid Nicoclean*)
- 1 Cleaning needles (container, 75 g)
- 1 *SYMPROfluid Universal*, sample bottle (400ml), only with 6500-0000
- 1 Tweezers
- 1 Retaining Magnet
- 1 Mains Cable (shockproof plug, 230 V)
- 1 Mains Cable (NEMA plug, 120 V)
- 1 Instruction manual

8. Available delivery quantities:

- 6500-0000 SYMPRO, 100-240 V / 50/60 Hz
- 6500-0050 SYMPRO, 100-240 V / 50/60 Hz, without cleaning fluid

9. Accessories


- 6500-0500 Cleaning vessel, white
- 1850-0007 Cleaning vessel, grey
- 6500-0550 Cleaning needles (75 g)
- 6500-0600 *SYMPROfluid Universal* (2x 2l)
- 6500-0610 *SYMPROfluid Nicoclean* (2x 2l)

10. Troubleshooting

Error	Cause	Solution
No display	<ul style="list-style-type: none"> • Appliance not connected to mains. • Appliance not turned on. • No power from the socket. • Faulty fuse. 	<ul style="list-style-type: none"> • Check correct fit of power cable in the appliance socket and wall socket. • Turn on appliance at the mains switch (M, Fig. 3). • Check power socket, for example, with another appliance. • Replace the fuse (see section 5.3). If the fuse blows repeatedly, have the appliance inspected by a service technician.
Cannot change cleaning time.	<ul style="list-style-type: none"> • Appliance still running. 	<ul style="list-style-type: none"> • Interrupt the cleaning process with the Start/ Pause button, and then adjust cleaning time.
Cannot save cleaning time.	<ul style="list-style-type: none"> • Cleaning time was entered during an interrupted cleaning process. 	<ul style="list-style-type: none"> • Stop the cleaning process with the Stop button, and then enter new cleaning time.
Insufficient cleaning performance	<ul style="list-style-type: none"> • Cleaning time too short. • Active ingredients of the cleaning fluid spent. • Insufficient number of cleaning needles. • Cleaning needles spent. 	<ul style="list-style-type: none"> • See chapt. 4.5. • Prepare fresh cleaning fluid after each application. • Fill up the cleaning needles (see section 4.7.2). • Replace the cleaning needles (see section 5.1).
Cleaning needles have corroded.	<ul style="list-style-type: none"> • Cleaning needles have been insufficiently rinsed. • Cleaning needles have been stored incorrectly. • Cleaning needles in use for longer period of time. 	<ul style="list-style-type: none"> • Rinsing and storage see chapter 4.7.1. • Removing the corrosion: Clean the needles with 100 ml <i>SYMPROfluid</i> Universal, without contents, for 5 minutes at 2000 rpm. Dispose of cleaning liquid. • The needles are so-called consumable goods. If it is not possible to regenerate the needles, or the needles' performance deteriorates, see chapter 5.1

Information for the purchaser

The following information is designed to help you use the *SYMPRO* high-performance cleaning device safely in your laboratory or your dental office.

 **Instruct the user according to the information in this manual on application, possible dangers, and use of the *SYMPRO* high-performance cleaning device.**

Ensure that this user information is available to operators.

A. Application

A.1 Correct use of the unit

This appliance is to be used exclusively for the professional cleaning of removable dentures as well as orthodontic appliances and splints.

The appliance is designed for non-sterile use only.

A.2 Unapproved use

Use only Renfert original accessories and materials (such as cleaning fluid) with this appliance.

The use of other accessories is against intended use stipulations.

A.3 Ambient conditions

(according to DIN EN 61010-1)

The appliance should only be operated:

- indoors
- up to 2,000 metres above sea level
- at an ambient temperature of 5°C - 40°C [41°F - 104°F] *)
- at a maximum relative humidity of 80% at 31°C [87.8°F], linear reduction up to 50% relative humidity at 40°C [104°F] *)
- with mains electricity supply provided that the voltage fluctuation is within 10% of the rated value
- with Pollution Degree 2

- with Overvoltage Category II

*) The unit can be used at a temperature of 5°C - 30°C [41°F - 86°F] and at a humidity of up to 80%. At temperatures of 31°C - 40°C [87.8°F - 104°F] the humidity must reduce proportionately to ensure that the unit can be operated (e.g. at 35°C [95°F] = 65% humidity, at 40°C [104°F] = 50% humidity). The unit should not be operated at temperatures above 40°C [104°F].

B. Hazards and warnings



Granted protection is not given any longer in case the unit is not operated according to the instruction manual on hand.



Only to be used indoors. The appliance is only intended for dry operation and should not be used or stored outdoors or in wet conditions.



The appliance should only be operated using a mains cable with a country-specific plug system. Any modification required should only be carried out by an electrician.



The appliance should only be operated if the data on the rating plate corresponds with the data of regional mains voltage.



The appliance should only be plugged into earthed sockets.



Regularly check connecting cables and hoses (e.g. mains cable) for damage (e.g. kinks, tears, porosity) or deterioration. Do not operate appliance with damaged mains wires, hoses or other defects.



**Risk of injury!
Risk of injury if the components used are not approved.
Always use original Renfert components.**



Cleaning needles contain a slight amount of nickel (see product data sheet).



Rinse the object under running water after cleaning and disinfect.



Check the object after cleaning and remove any adhering cleaning needles.



Contact with cleaning fluids or prolonged inhalation of their vapours may cause irritation. Use appropriate personal protective gear (protective goggles, gloves). Please note the information contained within the Material Safety Data Sheet.



Please do not let the cleaning beaker filled with cleaning fluid in the unit for a long period of time (e.g. overnight).



Damage or discolouration may occur should the cleaning liquid come into contact with other objects or laboratory furniture. This is valid particularly for surfaces out of PVC, linoleum, marble, natural stone, artificial stone, stainless steel and wooden surfaces.

In case of contamination, immediately treat with a copious amount of water.



Danger of scalding!
Prolonged use of the appliance may cause the liquid to heat up. Always use of pliers to remove the object.



The appliance contains strong magnets!
People with cardiac pacemakers should keep 50 cm from the appliance.
Do not place data storage mediums, credit cards or watches in the vicinity.

C. Approved personnel

The SYMPRO high-performance cleaning device should be operated and maintained by trained personnel only.

D. Prior to installation



Compare the data on the rating plate with the data of the regional mains voltage before installation.



The appliance should only be plugged into earthed sockets.

E. Repair

Repairs should only be carried out by qualified personnel.

Repairs to the electrical equipment, which are not specified in these operating instructions, should only be carried out by an electrician.

F. Disposal instructions

The appliance should be disposed of by a specialist firm. The specialist firm should be informed of any hazardous residue in the appliance.



Crushing hazard!
The unit contains strong magnets!
Wear protective gloves for disassembly.



Risk of splitter!
The magnets are brittle.
Wear protective glasses for disassembly.

F.1 Disposal instructions for countries in the EU

To conserve and protect the environment, prevent environmental pollution and improve the recycling of raw materials, the European Commission adopted a directive that requires the manufacturer to accept the return of electrical and electronic units for proper disposal or recycling.

Within the European Union appliances with this symbol should not therefore be disposed of in unsorted domestic waste:



For more information regarding proper disposal please apply at your local authorities.

G. Technical data

Rated voltage: 100 - 240 V / 50/60 Hz

Power consumption: 90 VA

Mains power fuse T1,6AL / 250V

Cleaning RPM: 1200 / 1600 / 2000 rpm

Dimensions (W x H x D):
150 x 240 x 280 mm

Weight (without vessel) approx.: ca. 3 kg

Noise level: < 70 dB(A)

H. Disclaimer

Renfert GmbH is not liable for claims for compensation or claims under guarantee if:

- **the object to be cleaned will be damaged by incorrect treatment.**
- **the product is used for purposes other than those stated in the operating instructions**
- **the product is modified in any way – apart from modifications described in the operating instructions**
- **the product has not been repaired by a specialist firm or original Renfert replacement parts have not been used**
- **there is continued use of the product despite obvious safety defects or damage**
- **the product has been subjected to mechanical knocks or has been dropped.**

I. Guarantee

Used according to manufacturer's instructions, all parts of the *SYMPRO* carry a 3-year guarantee.

The original sales invoice of the specialist depot is required for a claim under guarantee.

Parts subjected to normal wear and consumables (for example, the cleaning needles) and tear are not covered by the guarantee.

The guarantee is rendered void in the case of incorrect use, non-adherence to the operating, cleaning, servicing or connection instructions, repairs carried out by the owner or repairs that are not carried out by a specialist firm, use of replacement parts from another manufacturer or unusual or unapproved uses not specified in the user guidelines.

Successful claims under guarantee do not extend the guarantee period.

Full operational safety can only be guaranteed if RENFERT system components (cleaning appliance, needles, vessels, fluids) are used exclusively.